

BY PROMOVEC

BB SPEED SENSOR 51923

Type **Compact**
Position **Left**

SPECIFICATIONS

Voltage **5V**
Impulses per rotation **48**
Angle between pulses **7.5°**
Rotation direction **Only puls forward**
Sensor type **Speed**
Operating temperature **-20°C-60°C**
BB bracket type **BSA**
Sensor width **6,5 mm**

TESTS & SPECIFICATION

IP **IP65**
Certifications **CE/EN15194/EN 13849 /REACH/ROHS**

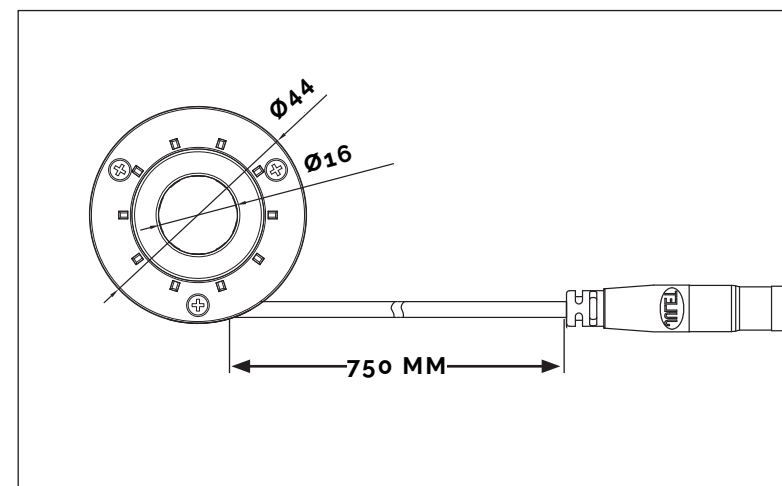
WIRING

BB speed sensor cable **750 mm**

Connector:
5-pin circular

Rating:
IP 66

DIMENSIONS



Promovec A/S
Brunbjergvej 2
DK-8240 Risskov

TEL. +45 7027 2623
FAX. +45 7027 2429
MAIL info@promovec.dk

Promovec® 
sustainable e-bikes