

REAR MOTOR 50609-1-BL

SPECIFICATIONS

Position	Rear
Freewheel	Yes
Rated voltage	36 V
Rated power	250 W
Max. support bike speed	25 km/h
Max torque	45 Nm
Efficiency	Min. 80 %
Walk assist function	Yes
Color	Black/silver
Weight	2,2 kg
Operation temperature	Max. 120°
Wire	IP66 Plug
Max RPM	250 RPM
Wheel speed sensor	Integrated
Type	BLDC w. hall sensor

FUNCTION

Compatible brake type	Disc / V-brake
-----------------------	----------------

TESTS & CERTIFICATIONS

IP classification	IPX5
Certifications	CE / EN 15194 / ROHS

MOUNTING PARAMETERS

Fork width	135 mm
Axle diameter	Ø12 mm
Slot width	10 mm

CABLES & CONNECTOR

Cable length	220 mm
Connector	IP66 Plug

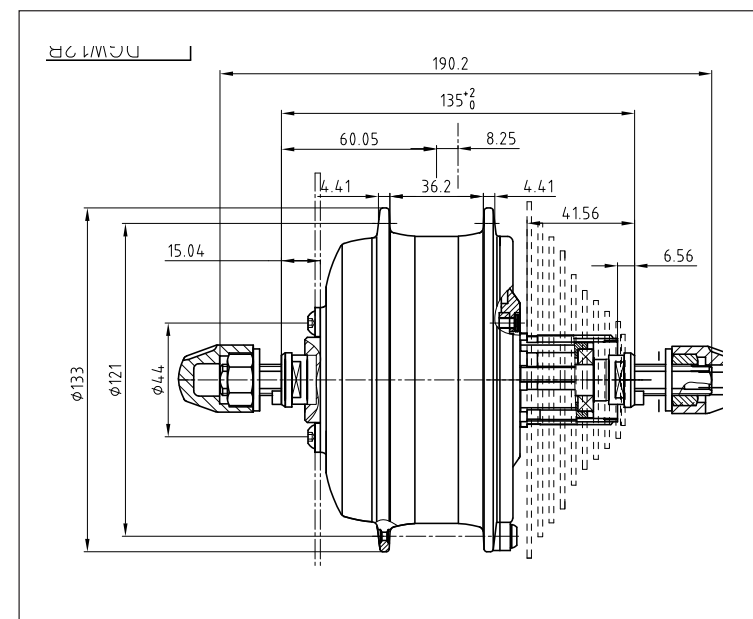
SPOKE SPECIFICATIONS

Flange width	36,2 mm
Spoke hole center-center	121 mm
Spoke hole diameter	Ø3,2 mm

FURTHER SPECIFICATIONS

Compatible wheel size	26"-29"
Rear sprocket	Casette Shimano 8, 9, 10 speed

DIMENSIONS



Promovec A/S
Brunbjergvej 2
DK-8240 Risskov

TEL. +45 7027 2623
FAX. +45 7027 2429
MAIL info@promovec.dk

Promovec® 
sustainable e-bikes